

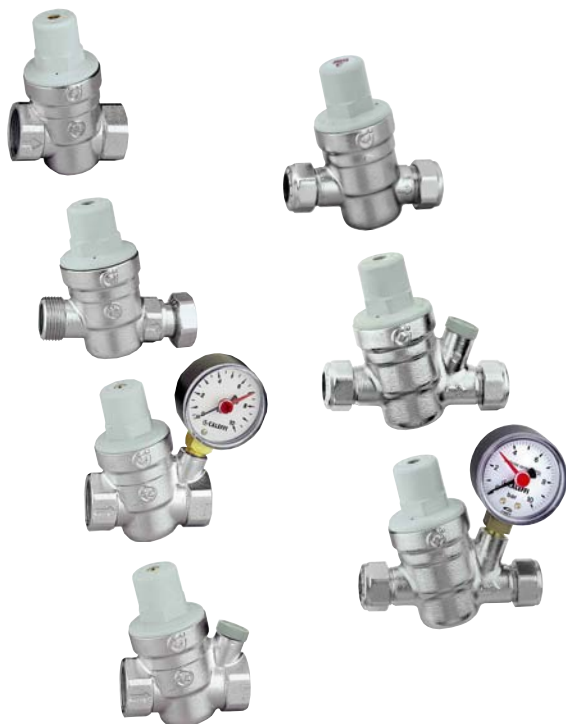
Inclined pressure reducing valves



5330 series



01024/10 GB
replaces 01024/03 GB



Function

Pressure reducing valves are installed in residential water system to reduce and stabilise inlet pressure from the water network which is generally too high and variable for domestic systems to work properly.

The 533 series was created for small systems, such as apartments, and to protect water storage heaters, where size and absence of noise are of particular concern.



Product range

| | | |
|-------------|-----------------------------------------------------------------|-------------------------------------|
| 5330 series | Inclined pressure reducing valve | sizes 1/2" and 3/4" F |
| 5331 series | Inclined pressure reducing valve | size 3/4" M x 3/4" F with nut |
| 5332 series | Inclined pressure reducing valve with pressure gauge | sizes 1/2" and 3/4" F |
| 5334 series | Inclined pressure reducing valve with pressure gauge connection | sizes 1/2" and 3/4" F |
| 5336 series | Inclined pressure reducing valve | sizes Ø 15 and Ø 22 for copper pipe |
| 5337 series | Inclined pressure reducing valve with pressure gauge connection | sizes Ø 15 and Ø 22 for copper pipe |
| 5338 series | Inclined pressure reducing valve with pressure gauge | sizes Ø 15 and Ø 22 for copper pipe |

Technical specifications

Materials

Body:
 - 5330/1/2/4 series; brass EN 12165 CW617N, chrome plated
 - 5336/7/8 series; **CR** dezincification resistant alloy EN 12165 CW602N, chrome plated
 Cover: PA66GF30
 Control stem: **CR** dezincification resistant alloy EN 12165 CW602N
 Cartridge: POM
 Internal components: brass EN 12165 CW617N
 Diaphragm: NBR
 Seals: NBR
 Strainer: stainless steel

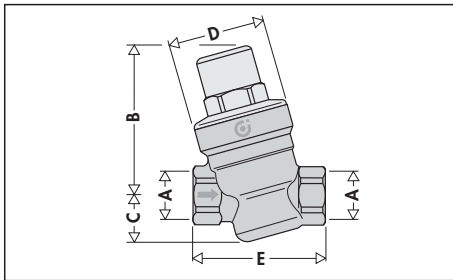
Performance

Max. upstream pressure: 16 bar
 Downstream pressure setting range: 1–6 bar
 Factory setting: 3 bar
 Max. working temperature: 60°C
 Pressure gauge scale: 0–10 bar
 Medium: water

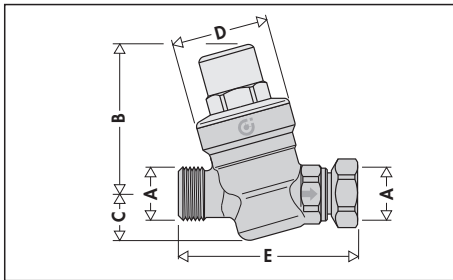
Connections

Main connections: see product range
 Pressure gauge connection: 1/4" F

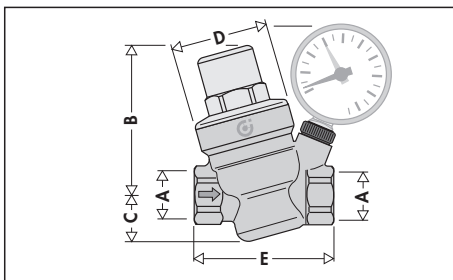
Dimensions



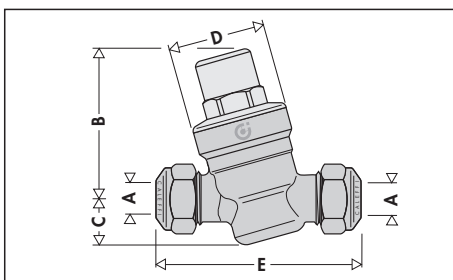
| Code | A | B | C | D | E | Mass (kg) |
|--------|------|------|------|------|----|-----------|
| 533041 | 1/2" | 72,5 | 22,5 | Ø 46 | 64 | 0,39 |
| 533051 | 3/4" | 72,5 | 22,5 | Ø 46 | 66 | 0,41 |



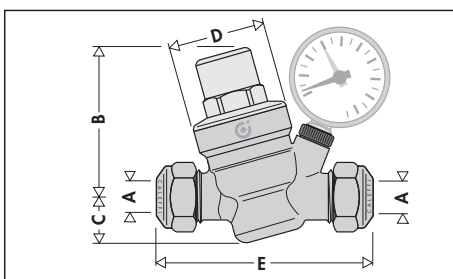
| Code | A | B | C | D | E | Mass (kg) |
|--------|------|------|------|------|------|-----------|
| 533151 | 3/4" | 72,5 | 22,5 | Ø 46 | 85,5 | 0,46 |



| Code | A | B | C | D | E | Mass (kg) |
|---------------|------|------|------|------|----|-----------|
| 533241-533441 | 1/2" | 72,5 | 22,5 | Ø 46 | 70 | 0,51 |
| 533251-533451 | 3/4" | 72,5 | 22,5 | Ø 46 | 72 | 0,52 |



| Code | A | B | C | D | E | Mass (kg) |
|--------|-----|------|------|------|----|-----------|
| 533641 | Ø15 | 72,5 | 22,5 | Ø 46 | 91 | 0,43 |
| 533651 | Ø22 | 72,5 | 22,5 | Ø 46 | 93 | 0,46 |

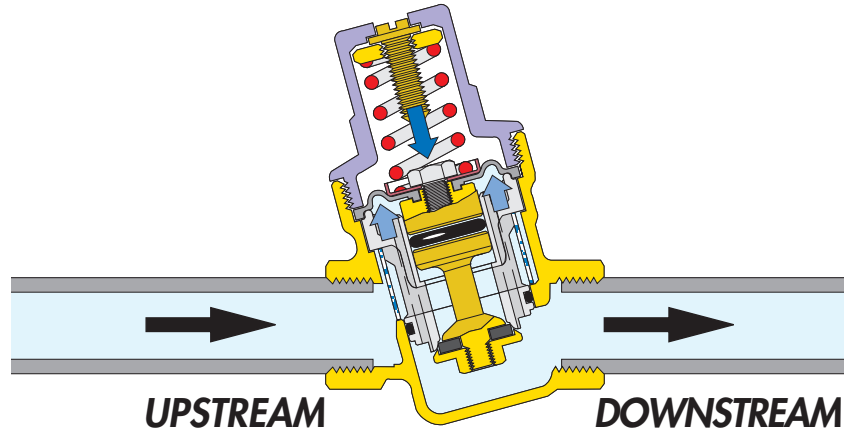


| Code | A | B | C | D | E | Mass (kg) |
|---------------|------|------|------|------|-----|-----------|
| 533741-533841 | Ø 15 | 72,5 | 22,5 | Ø 46 | 103 | 0,55 |
| 533751-533851 | Ø 22 | 72,5 | 22,5 | Ø 46 | 107 | 0,57 |

Operating principle

The functioning of the pressure reducing valve is based on the balance between two opposing forces:

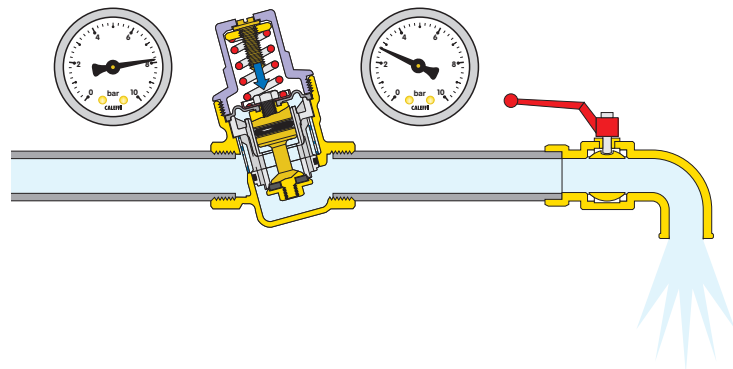
- 1 the thrust of the **spring** to **open** the flow through the cross section.
- 2 the thrust of the **diaphragm** to the **close** the flow through the cross section.



Operation with water flow

When a draw-off outlet is opened on the water system, the force of the spring becomes greater than that of the diaphragm; the obturator moves downwards opening the valve to the flow of water.

The greater the demand for water the lower the pressure under the diaphragm with a resulting greater flow of water through the valve.

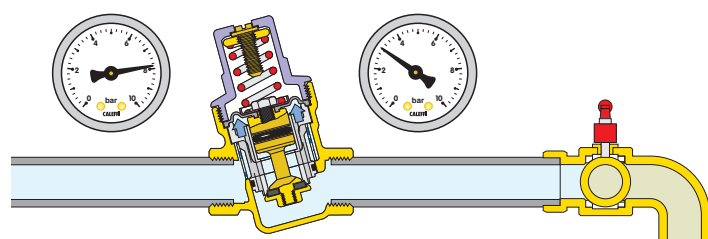


Operation without water flow

When the draw-off outlet is closed, the downstream pressure rises and pushes the diaphragm upwards.

As a result the obturator closes the valve to the passage of water and maintains the pressure constant at the calibrated pressure.

The slightest difference in favour of the force exercised by the diaphragm, in relation to that of the spring, causes the device to close.

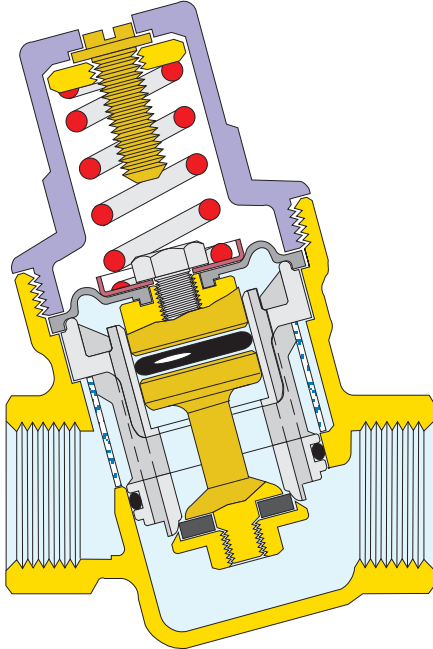


Construction details

Contoured diaphragm

The membrane was designed with a special shape to give an accurate pressure regulation as a function of changes in the downstream pressure.

This design feature also extends the valve life because the diaphragm is more resistant to pressure sudden changes and to wear.



Silent operation

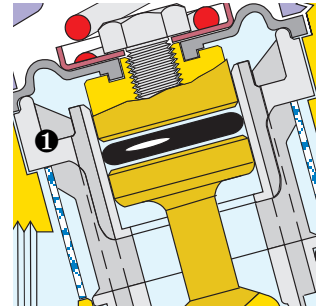
The large chamber on the outlet side of the reducing valve creates a low flow speed zone, which is particularly effective in reducing noise generated by narrowing the width of the passage through which the water flows when the valve is reducing pressure.

Small size

The "inclined" design makes the 533. series reducers small in size so that they are easy to fit especially in domestic systems.

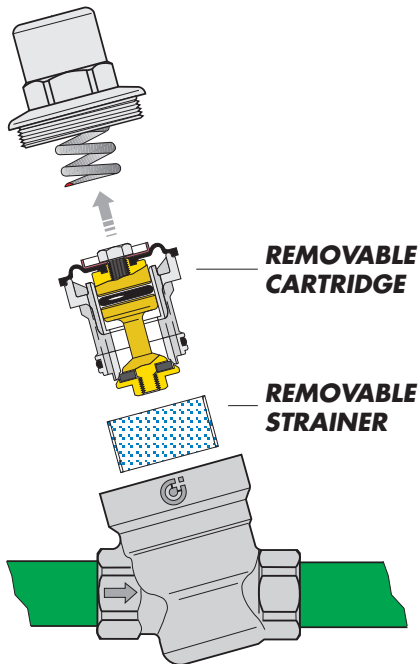
Non-stick materials

The central support ❶, which contains the moving parts is made of a plastic material with a low coefficient of adhesion. This reduces the probability of scale deposits being formed, the main cause of malfunction.



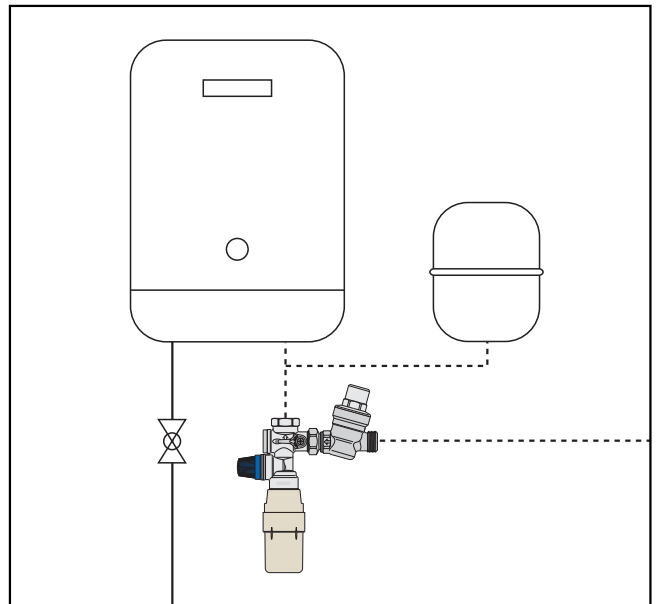
Extractable cartridge

The cartridges in the Caleffi 533. series of pressure reducing valves can be removed for periodic cleaning and maintenance.



Use with boiler hydraulic safety groups

The 5331 model is specially designed for use with the Caleffi hydraulic safety groups for hot water storage heaters 5261 series. The 3/4" nut provided can be used for an easy direct connection to the hydraulic safety groups.

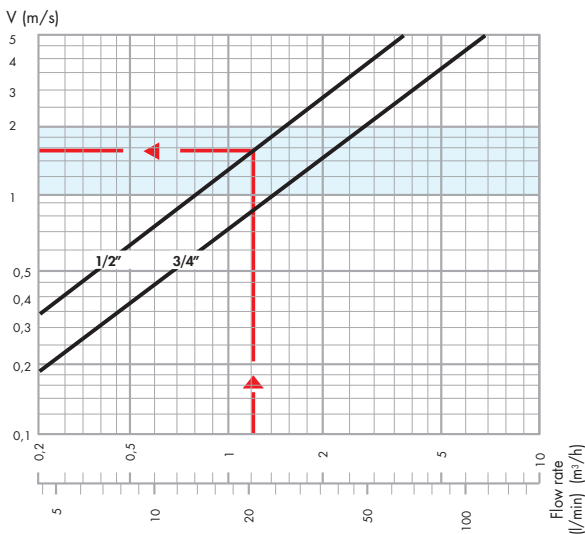


Approvals

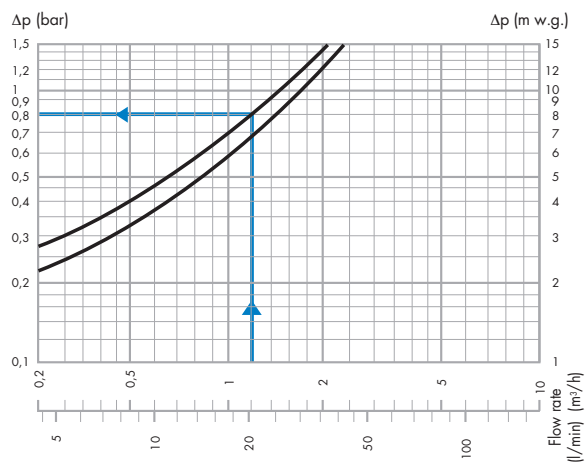
The pressure reducing valves are approved as compliant with WRAS specifications in the United Kingdom and ACS in France.

Hydraulic characteristics

Graph 1 (circulation velocity)



Graph 2 (Pressure drop)



Reference values: Upstream pressure = 6 bar
Downstream pressure = 4 bar

Sizing the valve

The flow rates of commonly used appliances in domestic plumbing systems are given below to assist in the selection of the correct valve diameter:

Table of typical flow rates

| | |
|----------------------------------------------------|----------|
| Bathtub, kitchen sink, dishwasher | 12 l/min |
| Shower | 9 l/min |
| Washbasin, bidet, washing machine, WC with cistern | 6 l/min |

The simultaneous-use factor must be taken into account to avoid selecting a valve that is too large. Basically, the fewer people using the system, the lower the probability of two appliances being used at the same time.

Table of simultaneous-use factor values (%)

| Number of appliances | Residential % | Community % | Number of appliances | Residential % | Community % | Number of appliances | Residential % | Community % |
|----------------------|---------------|-------------|----------------------|---------------|-------------|----------------------|---------------|-------------|
| 5 | 30 | 64,5 | 35 | 23,2 | 30 | 80 | 16,5 | 22 |
| 10 | 54 | 49,5 | 40 | 21,5 | 28 | 90 | 16 | 21,5 |
| 15 | 41 | 43,5 | 45 | 20,5 | 27 | 100 | 15,5 | 20,5 |
| 20 | 35 | 29 | 50 | 19,5 | 26 | 150 | 14 | 18,5 |
| 25 | 27,5 | 34,5 | 60 | 18 | 24 | 200 | 13 | 17,5 |
| | 24,5 | 32 | 70 | 17 | 23 | 300 | 12,5 | 16,5 |

The steps to take for selecting the correct size are as follows:

- The total flow rate is calculated from the number and type of appliances present by taking the sum of the individual flow rates.

Example:

One living unit with 1 bathroom
 1 bidet $G = 6$ l/min
 1 shower $G = 9$ l/min
 1 wash basin $G = 6$ l/min
 1 wc with cistern $G = 6$ l/min
 1 kitchen sink $G = 12$ l/min
 1 washing machine $G = 12$ l/min

$G_{tot} = 51$ l/min
 No appliances = 6

- The design flow rate is calculated from the table of coefficients of simultaneity (using that for 10 appliances).

Example:

$$G_{ds} = G_{tot} \cdot \% = 51 \cdot 41 \% = 21 \text{ l/min}$$

It is recommended that flow velocity is kept within 1 to 2 metres per second when calculating the correct reducer size. This will prevent noise in the pipes and rapid wear of appliances.

- The correct diameter of the reducing valve is taken from diagram 1 on the basis of the design flow rate taking into account an ideal flow velocity of between 1 and 2 m/s (blue band).

Example:

for $G_{ds} = 21$ l/min select diameter 1/2"
 (see indications on diagram 1)

- The pressure drop is taken from diagram 2 again on the basis of where the design flow rate intersects the curve for the relative diameter already selected (the downstream pressure falls by an amount equal to the pressure drop, with respect to the set pressure at no flow condition).

Example:

for $G_{ds} = 21$ l/min $1/2'' \Delta p = 0,8$ bar
 (see indications on diagram 2)

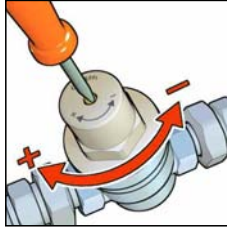
Recommended flow rates

For an average flow velocity of 1,5 m/s, the recommended flow rates for each diameter are as follows:

| Diameter | 1/2" | Ø 15 | 3/4" | Ø 22 |
|-----------------------------|------|------|------|------|
| Flow rate m ³ /h | 1,2 | 1,2 | 2,1 | 2,1 |
| Flow rate l/min | 20 | 20 | 35 | 35 |

Installation

1. Turn all taps on before installing the valve to flush the system and expel any air remaining in the pipes.
2. Install shut-off valves upstream and downstream of the pressure reducer to facilitate future maintenance operations. The upstream valve may have a check valve incorporated (Caleffi BALLSTOP).
3. Install the pressure reducer in any position.
4. Close downstream shut-off valve.
5. Calibrate it by turning the screw on the top of the plastic cover.
Turn it clockwise to increase the pressure and anticlockwise to decrease it.



6. Adjust until the correct pressure is read on the pressure gauge. Series 533. reducers are factory set at 3 bar.

Recommendations for installation

1. Installation below ground

Installing pressure reducing valves below ground is not recommended, for three reasons:

- there is a risk of the reducing valve being damaged by frost
- inspection and maintenance is difficult
- reading the pressure gauge is difficult.

2. Water hammer

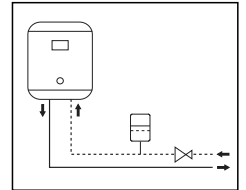
This is one of the main causes of faults in pressure reducing valves. It is best to fit special devices to absorb water hammer when installing pressure reducers in at-risk systems.

Trouble-shooting

Certain types of fault, which are generally due to faulty design of the system, are often wrongly attributed to pressure reducing valves. The most frequent cases are as follows:

1. Increased downstream pressure in the presence of a water heater

This problem is due to heating of the water caused by the water heater. There is not relief of the pressure because the reducing valve is rightly closed.



The solution is to install an expansion vessel (between the heater and the reducer) to "absorb" the pressure increase.

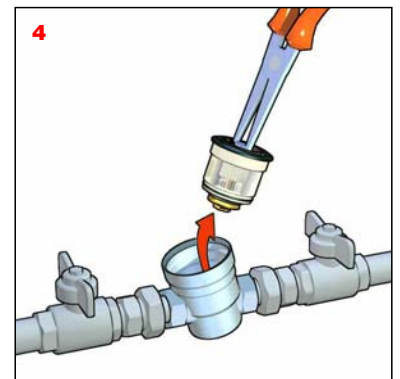
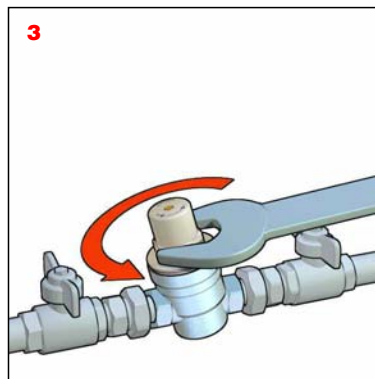
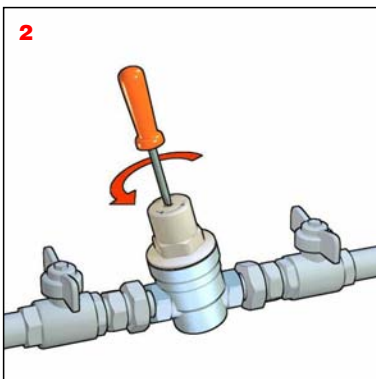
2. The reducer does not maintain its calibrated value

In most cases this is the result of impurities that deposit on the valve seat causing leakage with a resulting increase in pressure downstream. The solution is to fit a strainer upstream of the reducer and subsequently to maintain and clean the extractable cartridge (see *Maintenance*).

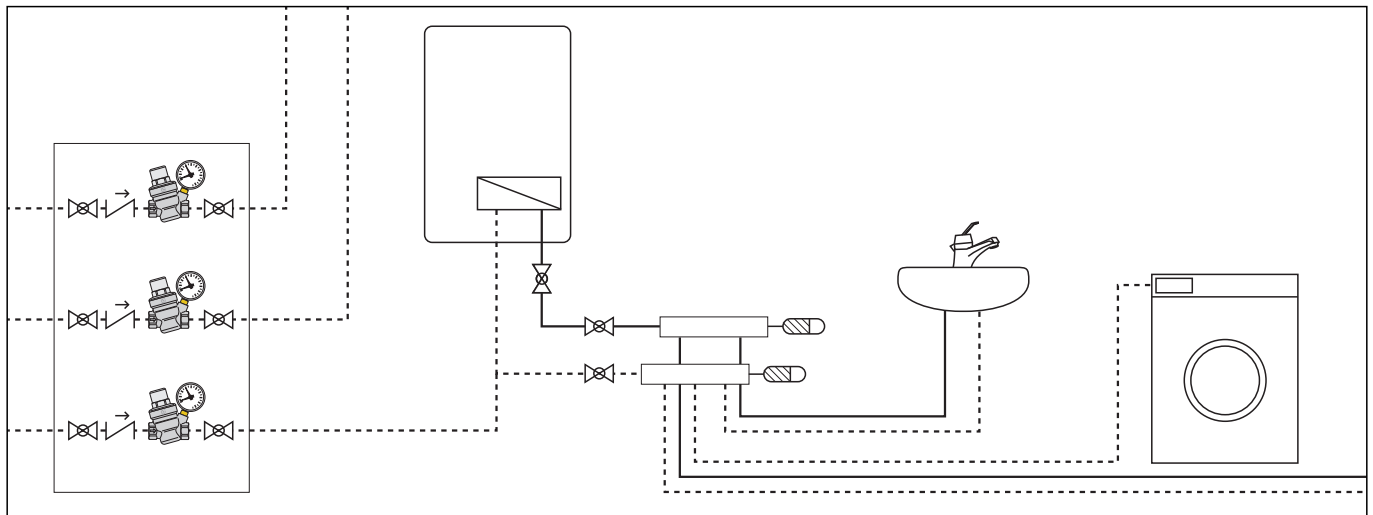
Maintenance

Proceed as follows for periodic cleaning of the strainer and inspection or replacement of the cartridge:

- 1 Shut off the reducer
- 2 Unscrew (anticlockwise) the calibrating screw to decompress the spring inside.
- 3 Unscrew the cover.
- 4 Extract the cartridge with the aid of pincers to grip the head of the screw.
- 5 The cartridge can be fitted back into the valve after inspection and cleaning or alternatively a replacement cartridge can be fitted.
- 6 Recalibrate the reducer.



Application diagrams



SPECIFICATION SUMMARY

5330 series

Inclined pressure reducing valve. Threaded connections 1/2" F (or 3/4" F). Brass body. Chrome plated. Dezincification resistant alloy stem. Glass/nylon cover. NBR diaphragm and seals. Maximum working temperature 60°C. Maximum upstream pressure 16 bar. Downstream pressure setting range from 1 to 6 bar. Extractable cartridge and strainer for maintenance operation.

5331 series

Inclined pressure reducing valve. Threaded connection 3/4" M for 3/4" F with nut. Brass body. Chrome plated. Dezincification resistant alloy stem. Glass/nylon cover. NBR diaphragm and seals. Maximum working temperature 60°C. Maximum upstream pressure 16 bar. Downstream pressure setting range from 1 to 6 bar. Extractable cartridge and strainer for maintenance operation.

5332 series

Inclined pressure reducing valve with pressure gauge. Threaded connections 1/2" F (or 3/4" F). Pressure gauge connection 1/4" F. Brass body. Chrome plated. Dezincification resistant alloy stem. Glass/nylon cover. NBR diaphragm and seals. Maximum working temperature 60°C. Maximum upstream pressure 16 bar. Downstream pressure setting range from 1 to 6 bar. Extractable cartridge and strainer for maintenance operation. Complete with pressure gauge, scale 0-10 bar.

5334 series

Inclined pressure reducing valve with pressure gauge connection. Threaded connections 1/2" F (or 3/4" F). Pressure gauge connection 1/4" F. Brass body. Chrome plated. Dezincification resistant alloy stem. Glass/nylon cover. NBR diaphragm and seals. Maximum working temperature 60°C. Maximum upstream pressure 16 bar. Downstream pressure setting range from 1 to 6 bar. Extractable cartridge and strainer for maintenance operation.

5336 series

Inclined pressure reducing valve. Ø 15 (or Ø 22) connections. Dezincification resistant alloy body and stem. Chrome plated. Glass/nylon cover. NBR diaphragm and seals. Maximum upstream temperature 60°C. Maximum working pressure 16 bar. Downstream pressure setting range from 1 to 6 bar. Extractable cartridge and strainer for maintenance operation.

5337 series

Inclined pressure reducing valve with pressure gauge connection. Ø 15 (or Ø 22) connections. Pressure gauge connection 1/4" F. Dezincification resistant alloy body and stem. Chrome plated. Glass/nylon cover. NBR diaphragm and seals. Maximum working temperature 60°C. Maximum upstream pressure 16 bar. Downstream pressure setting range from 1 to 6 bar. Extractable cartridge and strainer for maintenance operation.

5338 series

Inclined pressure reducing valve with pressure gauge. Ø 15 (or Ø 22) connections. Pressure gauge connection 1/4" F. Dezincification resistant alloy body and stem. Chrome plated. Glass/nylon cover. NBR diaphragm and seals. Maximum working temperature 60°C. Maximum upstream pressure 16 bar. Downstream pressure setting range from 1 to 6 bar. Extractable cartridge and strainer for maintenance operation. Complete with pressure gauge, scale 0-10 bar.

We reserve the right to change our products and their relevant technical data, contained in this publication, at any time and without prior notice.



CALEFFI S.p.A. · S.R.229, N.25 · 28010 Fontaneto d'Agogna (NO) · Italy · Tel. +39 0322 8491 · Fax +39 0322 863723
· www.caleffi.com · info@caleffi.com ·

© Copyright 2010 Caleffi