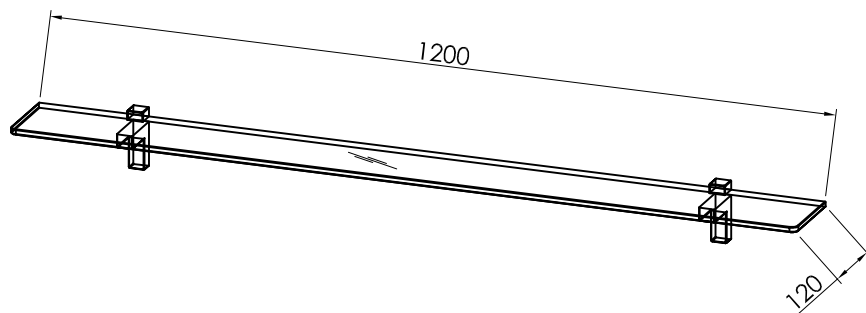
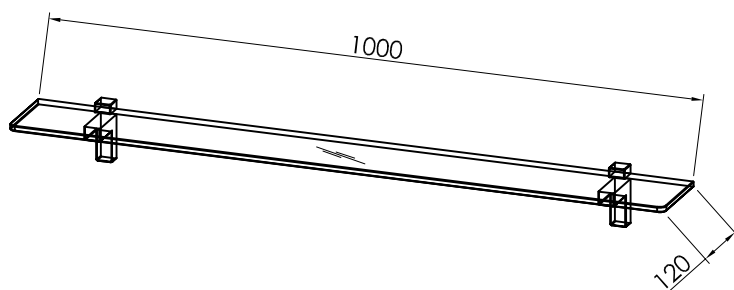


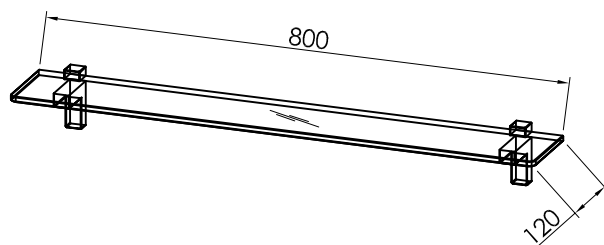
**NOGICE POHIŠTVENE**  
**H=400 mm**



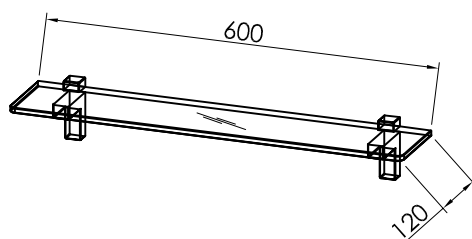
**PST 120  
Z NOSILCI KROM**



**PST 100  
Z NOSILCI KROM**

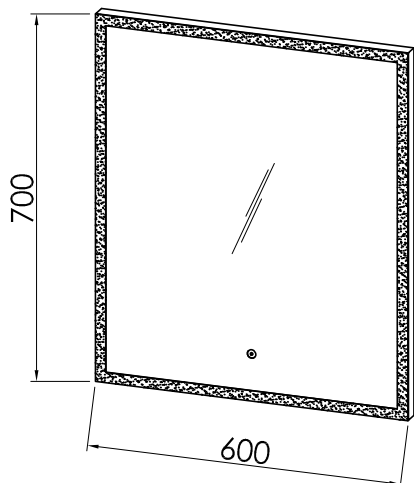


**PST 80  
Z NOSILCI KROM**

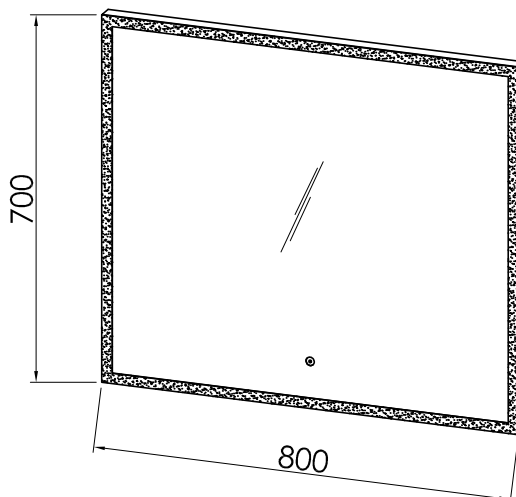


**PST 60  
Z NOSILCI KROM**

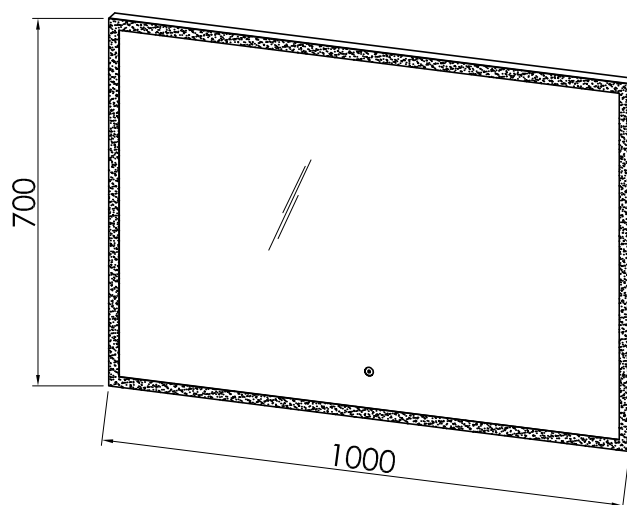
OG 60 - LED, T  
ogledalo z LED lučjo



OG 80 - LED, T  
ogledalo z LED lučjo

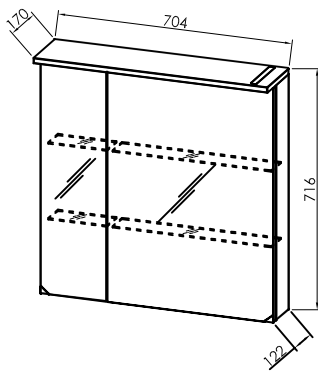


OG 100 - LED, T  
ogledalo z LED lučjo

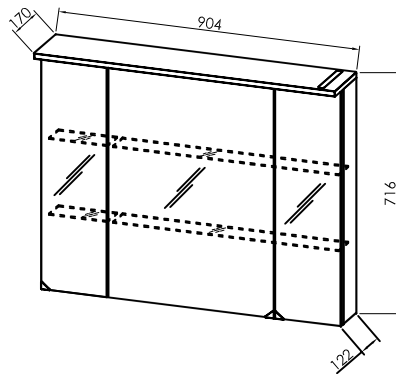


**SAMOSTOJNA OGLEDALA Z LED LUČJO  
OG 60, 80, 100**

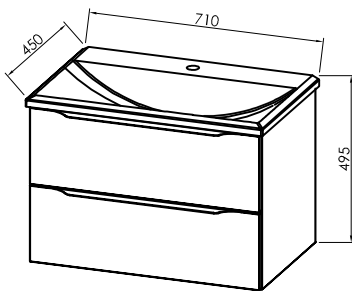
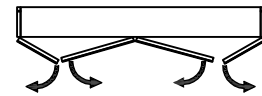
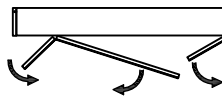
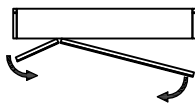
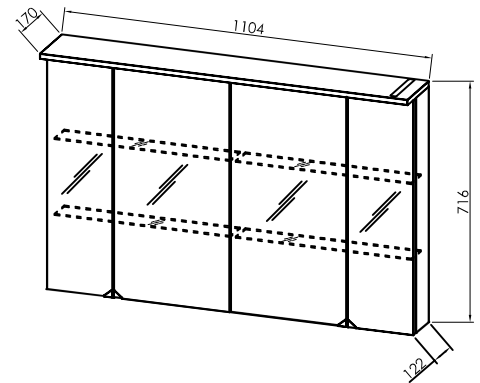
TO 70 WH - LED, SW, S  
TO 70 SBW - LED, SW, S  
TO 70 DO - LED, SW, S



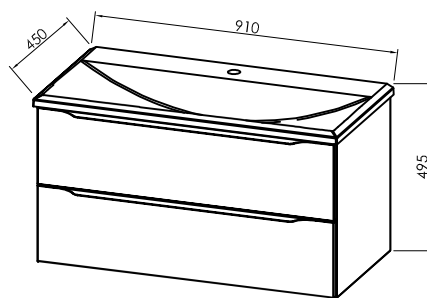
TO 90 WH - LED, SW, S  
TO 90 SBW - LED, SW, S  
TO 90 DO - LED, SW, S



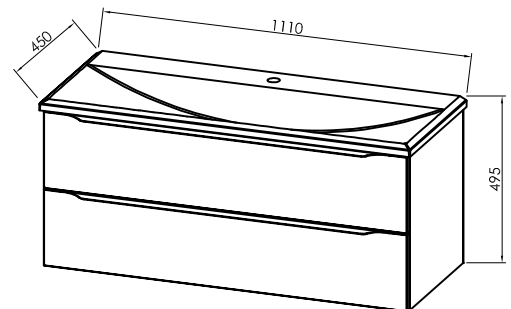
TO 110 WH - LED, SW, S  
TO 110 SBW - LED, SW, S  
TO 110 DO - LED, SW, S



OUT 70 WH  
OUT 70 SBW  
OUT 70 DO

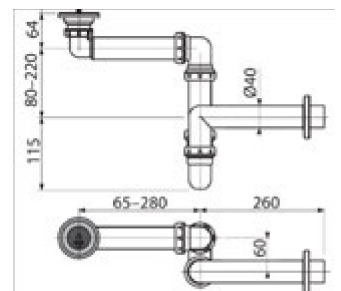


OUT 90 WH  
OUT 90 SBW  
OUT 90 DO



OUT 110 WH  
OUT 110 SBW  
OUT 110 DO

+

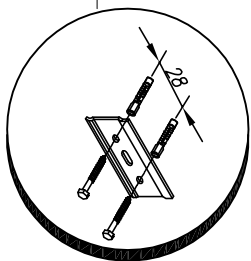
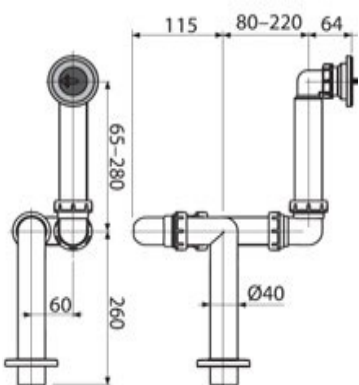
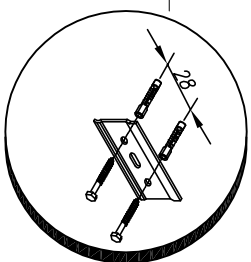
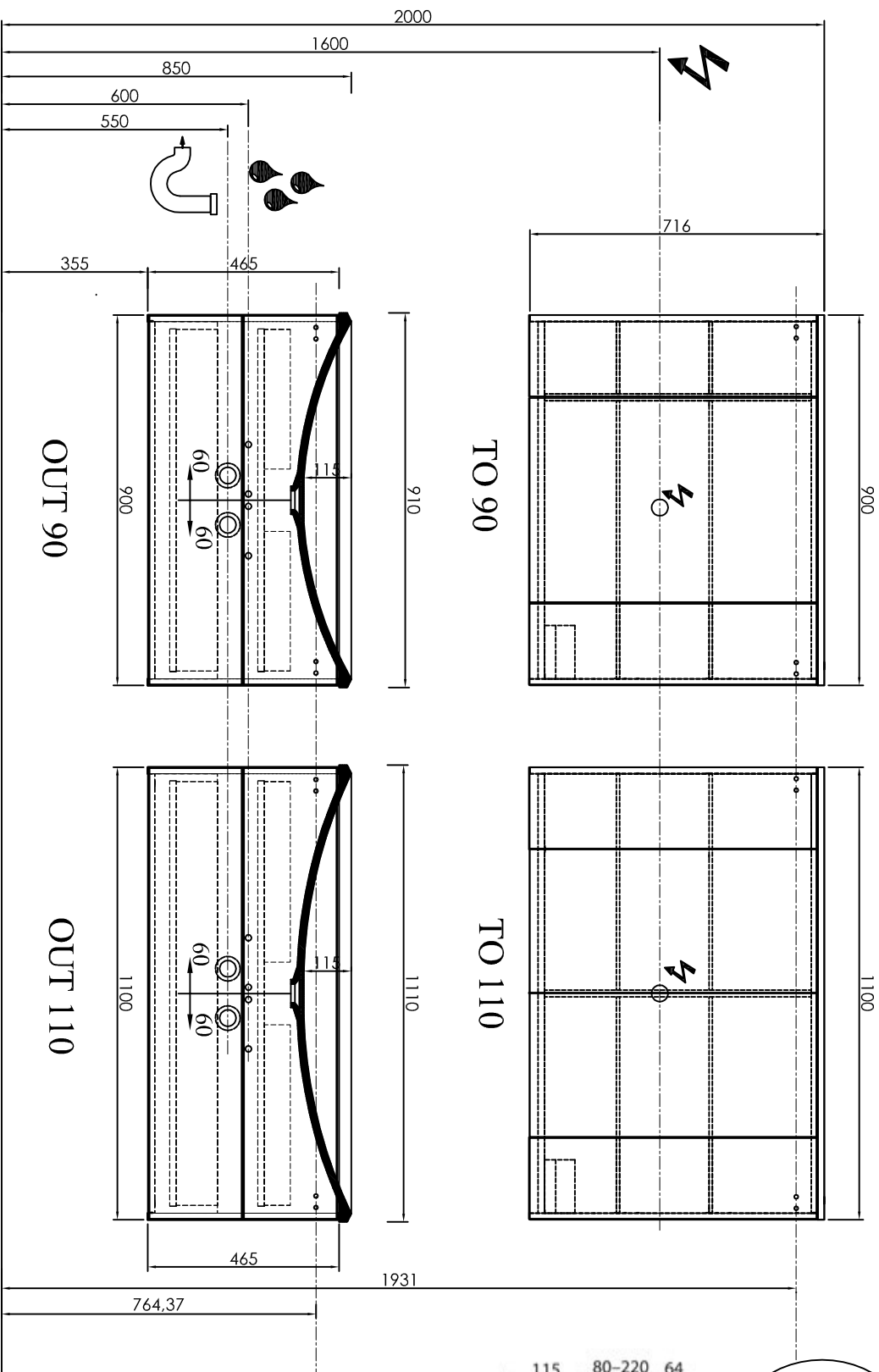


SIFON SE PRILAGA

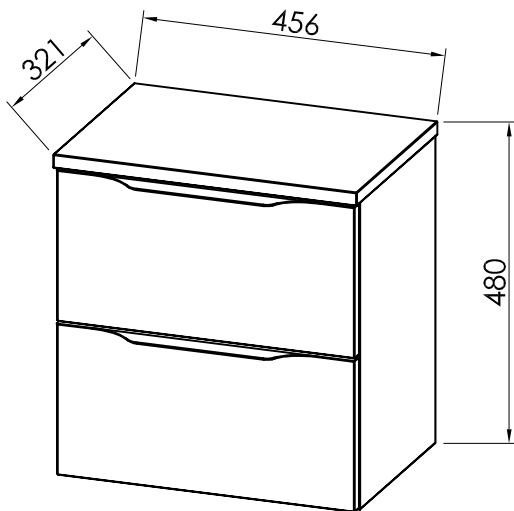
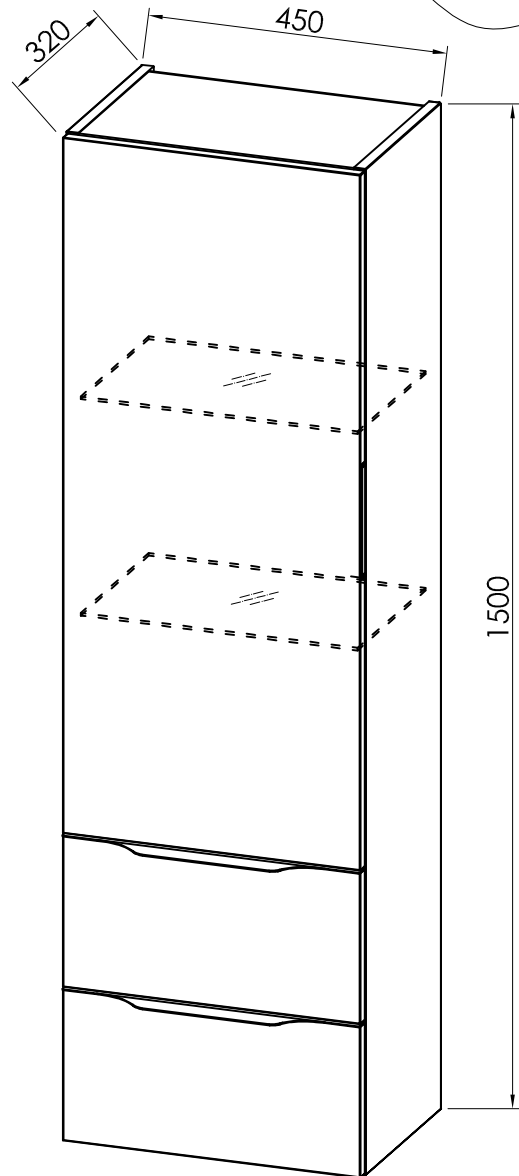
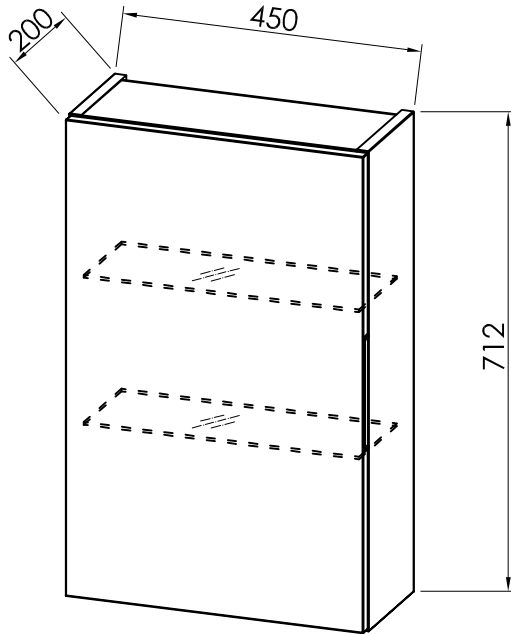
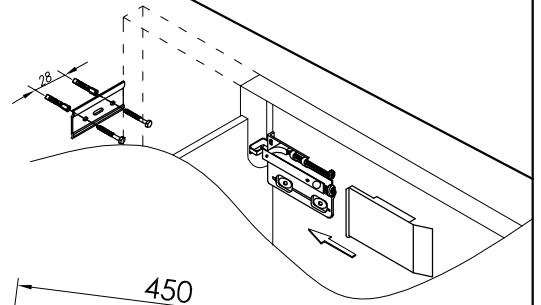
**TARA**  
**OUT/ TO 70, 90, 110**

PREDINŠTALACIJSKA SHEMA  
 PREDINSTALACIJSKA SHEMA  
 PREINSTALLATION PLAN

ИРЕДИМОТЉАКНАЈ СХЕМА  
 ДАС ВОРИНСТАЛЛАТИОНССХЕМА  
 TELEPÍTÉS ELŐTTI ÁBRA



**T/A 712/20 WH  
T/A 712/20 SBW  
T 712/20 DO**



**OT 45 WH  
OT 45 SBW  
OT 45 DO**

**T 1501 WH  
T 1501 SBW  
T 1501 DO**

**TARA**  
**OT 45, T 1501, T/A 712/20**